

VINGTOR STENTOFON

by ZENITEL GROUP



PRODUCT SHEET

COUNTER INTERCOM

Product Description

Our Counter Intercom is a complete communication solution for all types of applications. Wherever walls of glass separate personnel from clients, an intelligent communication solution is needed to hear, be heard and be understood, every time, even in noisy environments such as cash desks, security check points, ticket/info kiosks, gas stations, and clean rooms.

SIMPLE, YET WITH ENDLESS POSSIBILITIES

- The Counter Intercom is easy to install and can be integrated with and interfaced to the manager desk.
- It has excellent HD full duplex audio quality, even at high volume levels and in noisy environments, with automatic volume adjustment.
- All conversations can be recorded for quality assurance purposes.



For Local Sales & Service please contact the local Zenitel appointed partner:
 Connexus Communications Limited
 Unit D2, Baldonnell Business Park
 Naas Road, Dublin 22, Ireland
 T: 00 353 1 4105866, F: 00 353 1 4105867
info@connexus.ie Visit us at www.connexus.ie



Features:

- Single DSP multi-channel acoustic technology to prevent howling and channel interference effectively and realize true digital HD full duplex intercom communication. GA38 2015 Compliant.
- Full touch-button design for the window intercom, without time limitation for pressing buttons.
- Identifies the sound source, while suppressing environment noise with automatic volume adjustment functionality and restores true voice.
- Three scenario modes (quiet, standard, noisy), available for one key adjustment.
- Single tail line design to connect internal and external window intercom units, to avoid cable loosening and to keep desktops tidy and more elegant.
- Professional-grade, hard metal cavity structure design to completely eliminate resonance of the device itself and to achieve pure, natural sound effects.
- Ability for customizing a personalized service language and to manually broadcast "Hello, Welcome" and "Welcome to visit next time".
- Analog output port for simultaneous recording via a third-party device (e.g. DVR).
- Ability to call to a remote microphone in the monitoring center and to receive calls to realize two-way handsfree intercom communication.
- Real-time monitoring, partial or full zone broadcasting to internal and external window intercom units via the microphone at remote center.
- Ability to set different call targets on server software for the left and right buttons or setting offline intercom via web interface.
- Intelligent self-detecting function, available for detecting the status of device itself and giving a prompt in local place or reporting to control center if there is anomaly.
- Ability to establish three-way intercom communication among client, counter clerk and manager.
- Supports web interface management and crossing network segment and router - accessible to the system if Ethernet is available.

VINGTOR-STENTOFON by Zenitel

Communication is critical in all areas of business; therefore, our expertise is focused on providing intelligent communication solutions that allow you to hear, be heard and be understood, every time.

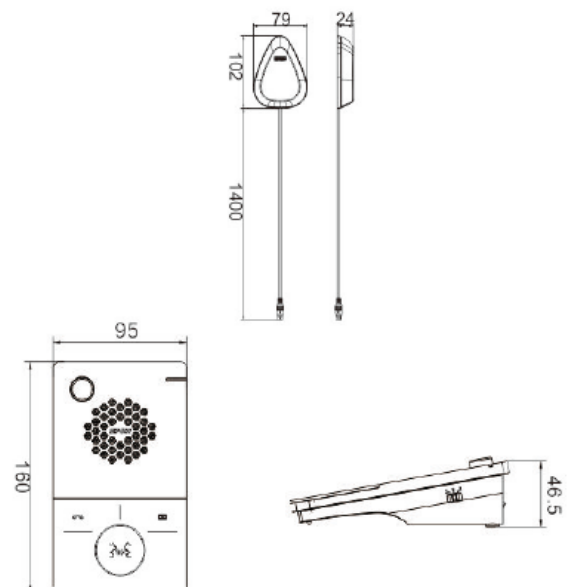
Zenitel systems interface with other security systems including CCTV, access control and alarm for a comprehensive security solution.

Our primary system offering is within Public Address, Intercom and Radio. Our key markets include Building Security, Public Safety, Transportation, Industrial Manufacturing, Energy and Maritime.

Zenitel systems provide high availability, scalability, reliability, maintainability, and cyber defensibility. By reducing hardware to a minimum, and keeping the benefits of centralized server management, organizations have more flexibility in scale and performance.

Specification:

- Desk Intercom Size: 95x160x46.5 mm
- External Speaker & Microphone: 79x102x24 mm
- Power Supply and Consumption: DC 12V 2A, ≤5W
- Audio Sampling: 8KHz - 32KHz
- S/N & Frequency Response: > 90dB, 20Hz~16KHz
- Weight: Desk 440g / External 200g
- Operating Temperature & Humidity : -20 ~ +60 °C, ≤90% RH
- Analog Audio Output : Yes
- Ports: 1 x RJ45 Ethernet Port, 1 x External Unit
- Network Protocol: PCM/AAC
- Ordering Part Number: Desk : J-CI-3310, External : J-CI-3320



BECAUSE

when communication is critical

DOC NO

A100K11926

DATE: 16.04.2019

sales@zenitel.com

